

# SSMA connectors

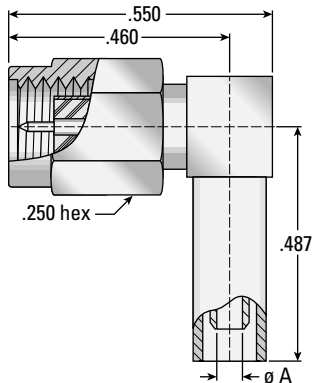
AEP SSMA connectors are microminiature, precision connectors with excellent electrical performance to 26GHz. Their stainless steel construction provides mechanical ruggedness in small size.

AEP SSMA connectors conform to MIL-PRF-39012 requirements, and interfaces are per MIL-STD-348.

Other styles are being added to our SSMA product line; please contact us with your requirements.

## Right Angle Cable Plugs

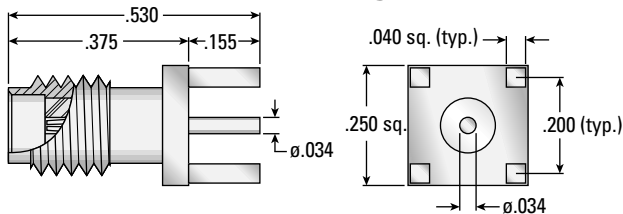
**Crimp type for flexible cable**



CABLE TYPES	Dim. A	BODY PLATING	AEP P/N
RG178, RG196, M17/93, M17/169	.040	GOLD	9765-1523-002
		PASSIVATED	9765-9523-002
RG174, RG316, M17/113, M17/119, M17/172, M17/189	.067	GOLD	9765-1523-003
		PASSIVATED	9765-9523-003

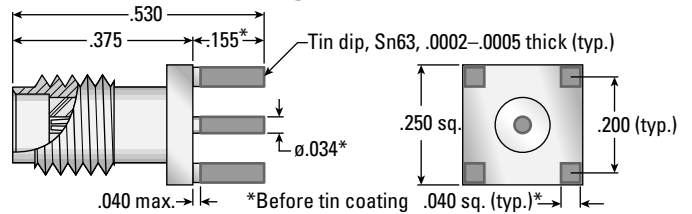
## Straight P.C. Board Jacks

**Standard legs**



BODY PLATING	AEP P/N
GOLD	9769-1513-000

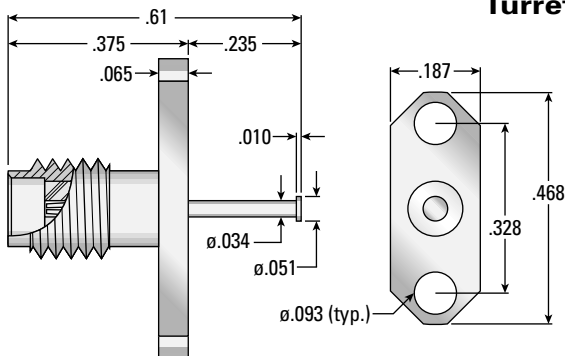
**Tinned legs and contact**



BODY PLATING	AEP P/N
GOLD	9769-1513-040

## Panel Receptacle—2-Hole Flange

**Turret contact**



BODY PLATING	AEP P/N
GOLD	9760-1113-000



**APPLIED ENGINEERING PRODUCTS**

(203) 776-2813 • FAX (203) 776-8294

P.O. Box 510 • New Haven, CT 06513

[www.aepconnectors.com](http://www.aepconnectors.com) • [aepsales@aepconnectors.com](mailto:aepsales@aepconnectors.com)