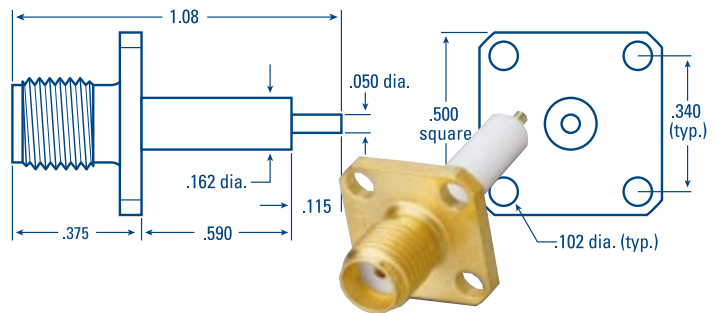
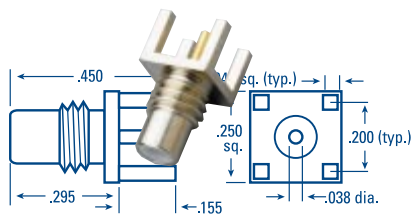
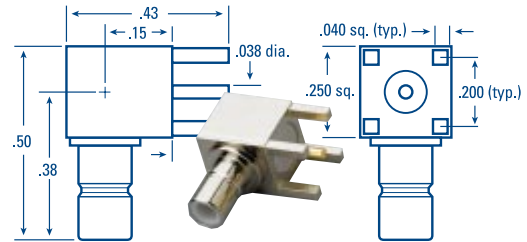
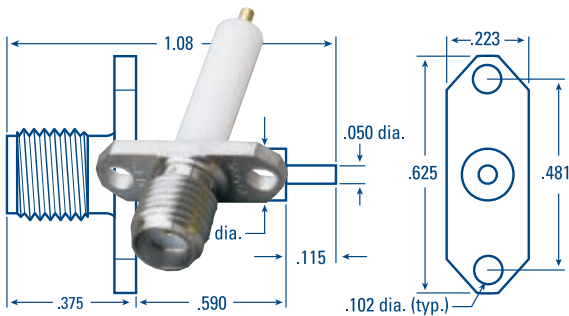


⁵With coupling nut fully extended

MIL-PRF-39012 QPL CONNECTORS

Series SMA, SMB, and SMC



Contents

SMA Series QPL Connectors	2
SMB and SMC Series QPL Connectors	3
About AEP; other AEP Product Lines	4



APPLIED ENGINEERING PRODUCTS

(203) 776-2813 • FAX (203) 776-8294

www.aepconnectors.com • aepsales@aepconnectors.com

ISO 9001 CERTIFIED



MIL-PRF-39012 QPL CONNECTORS

In order to avoid presenting information that may rapidly become obsolete due to the frequently-changing nature of MIL-PRF-39012, these listings describe our QPL connectors by description of their configuration only. For up-to-date information on dimensions, plating specifications, or performance requirements, please call AEP or consult the current release of MIL-PRF-39012.

SMA Series

All AEP SMA series QPL connectors have passivated stainless steel bodies and coupling nuts, except direct-solder plugs and jacks for semi-rigid cable. These items have gold-plated bodies for solderability.

Straight plug for flexible cable, clamp type (Category A)

Cable	With lockwire holes	No lockwire holes
RG-178	M39012/55-3006	M39012/55-3106
RG-316	M39012/55-3007	M39012/55-3107
RG-122	M39012/55-3008	M39012/55-3108
RG-58,142	M39012/55-3009	M39012/55-3109
RG-303	M39012/55-3010	M39012/55-3110

Bulkhead jack for flexible cable, clamp type (Category A)

Cable	MIL P/N
RG-178	M39012/59-3006
RG-316	M39012/59-3007
RG-122	M39012/59-3008
RG-58,142	M39012/59-3009
RG-303	M39012/59-3010

Straight plug for flexible cable, crimp type (Category C)

Cable	With lockwire holes	No lockwire holes
RG-178	M39012/55-3025	M39012/55-3125
RG-316	M39012/55-3026	M39012/55-3126
RG-122	M39012/55-3027	M39012/55-3127
RG-142	M39012/55-3028	M39012/55-3128
RG-58, 303	M39012/55-3029	M39012/55-3129

Bulkhead jack for semi-rigid cable, solder-clamp type (Category B)

Cable	MIL P/N
RG-405	M39012/83B3003
RG-402	M39012/83B3004

Straight plug for semi-rigid cable, solder-clamp type (Category B)

Cable	With lockwire holes	No lockwire holes
RG-405	M39012/79B3003	M39012/79B3103
RG-402	M39012/79B3004	M39012/79B3104

Flange mount panel jack receptacle, solder pot contact

4-hole flange	2-hole flange
M39012/60-3001	M39012/60-3002

Straight plug for .141" semi-rigid cable, direct-solder type (Category B)

(Uses cable dielectric and center conductor as insulator and contact)

Cable	With lockwire holes	No lockwire holes
RG-405	M39012/92B3001	M39012/92B3101

Bulkhead jack receptacle, solder pot contact

Rear mount	Front mount
M39012/61-3001	M39012/61-3002



APPLIED ENGINEERING PRODUCTS

104 John W. Murphy Drive • P.O. Box 510 • New Haven, CT 06513
(203) 776-2813 • FAX (203) 776-8294

www.aepconnectors.com • aepsales@aepconnectors.com



MIL-PRF-39012 QPL CONNECTORS

SMB and SMC Series

AEP SMB and SMC series QPL connectors have gold or silver plated bodies as noted.

Straight plug for flexible cable, clamp type (Category A)

Cable	SMB Series		SMC Series	
	Gold plated	Silver plated	Gold plated	Silver plated
RG-178	M39012/67-0003	M39012/67-0103	M39012/73-0003	M39012/73-0103
RG-316	M39012/67-0004	M39012/67-0104	M39012/73-0004	M39012/73-0104

Straight plug for flexible cable, crimp type (Category B)

Cable	SMB Series		SMC Series	
	Gold plated	Silver plated	Gold plated	Silver plated
RG-178	M39012/67B0008	M39012/67B0013	M39012/73B0008	M39012/73B0013
RG-316	M39012/67B0009	M39012/67B0014	M39012/73B0009	M39012/73B0014
RG-179	M39012/67B0010	M39012/67B0015	M39012/73B0010	M39012/73B0015

Right angle plug for flexible cable, clamp type (Category A)

Cable	SMB Series		SMC Series	
	Gold plated	Silver plated	Gold plated	Silver plated
RG-178	M39012/69-0003	M39012/69-0103	M39012/75-0003	M39012/75-0103
RG-316	M39012/69-0004	M39012/69-0104	M39012/75-0004	M39012/75-0104

Right angle plug for flexible cable, crimp type (Category B)

Cable	SMB Series		SMC Series	
	Gold plated	Silver plated	Gold plated	Silver plated
RG-178	M39012/69B0008	M39012/69B0013	M39012/75B0008	M39012/75B0014
RG-316	M39012/69B0009	M39012/69B0014	M39012/75B0009	M39012/75B0015
RG-179	M39012/69B0010	M39012/69B0015	M39012/75B0010	M39012/75B0016

Straight jack for flexible cable, clamp type (Category A)

Cable	SMB Series		SMC Series	
	Gold plated	Silver plated	Gold plated	Silver plated
RG-178	M39012/68-0003	M39012/68-0103	M39012/74-0003	M39012/74-0103
RG-316	M39012/68-0004	M39012/68-0104	M39012/74-0004	M39012/74-0104

Straight jack for flexible cable, crimp type (Category B)

Cable	SMB Series		SMC Series	
	Gold plated	Silver plated	Gold plated	Silver plated
RG-178	M39012/68B0008	M39012/68B0013	M39012/74B0008	M39012/74B0014
RG-316	M39012/68B0009	M39012/68B0014	M39012/74B0009	M39012/74B0015
RG-179	M39012/68B0010	M39012/68B0015	M39012/74B0010	M39012/74B0016

Bulkhead jack for flexible cable, clamp type (Category A)

Cable	SMB Series		SMC Series	
	Gold plated	Silver plated	Gold plated	Silver plated
RG-178	M39012/70-0003	M39012/70-0103	M39012/76-0003	M39012/76-0103
RG-316	M39012/70-0004	M39012/70-0104	M39012/76-0004	M39012/76-0104

Bulkhead jack for flexible cable, crimp type (Category B)

Cable	SMB Series		SMC Series	
	Gold plated	Silver plated	Gold plated	Silver plated
RG-178	M39012/70B0008	M39012/70B0013	M39012/76B0008	M39012/76B0014
RG-316	M39012/70B0009	M39012/70B0014	M39012/76B0009	M39012/76B0015
RG-179	M39012/70B0010	M39012/70B0015	M39012/76B0010	M39012/76B0016

Straight P.C. board jack receptacle

Leg length	SMB Series	
	Gold plated	Silver plated
.155	M39012/95-0001	M39012/95-0004
.125	M39012/95-0002	M39012/95-0005
.093	M39012/95-0003	M39012/95-0006

Right angle P.C. board jack receptacle

Leg length	SMB Series	
	Gold plated	Silver plated
.155	M39012/96-0001	M39012/96-0004
.125	M39012/96-0002	M39012/96-0005
.093	M39012/96-0003	M39012/96-0006

Bulkhead jack receptacle, solder pot contact, rear mount

SMB Series	
Gold plated	Silver plated
M39012/71-0001	M39012/71-0003
SMC Series	
Gold plated	Silver plated
M39012/77-0001	M39012/77-0003

Bulkhead jack receptacle, solder pot contact, front mount

SMB Series	
Gold plated	Silver plated
M39012/71-0002	M39012/71-0004
SMC Series	
Gold plated	Silver plated
M39012/77-0002	M39012/77-0004



APPLIED ENGINEERING PRODUCTS

104 John W. Murphy Drive • P.O. Box 510 • New Haven, CT 06513
(203) 776-2813 • FAX (203) 776-8294

www.aepconnectors.com • aepsales@aepconnectors.com



About AEP

Since our foundation in 1973, we have always believed that having our customers take a look "inside AEP" is important in fostering strong vendor/customer relationships. We are proud of our physical plant and equipment, but even more so of our dedicated staff. When customers see first-hand how AEP's people keep a constant focus on maintaining and improving customer service and satisfaction, the reason for our consistently strong on-time delivery and quality records becomes clear.

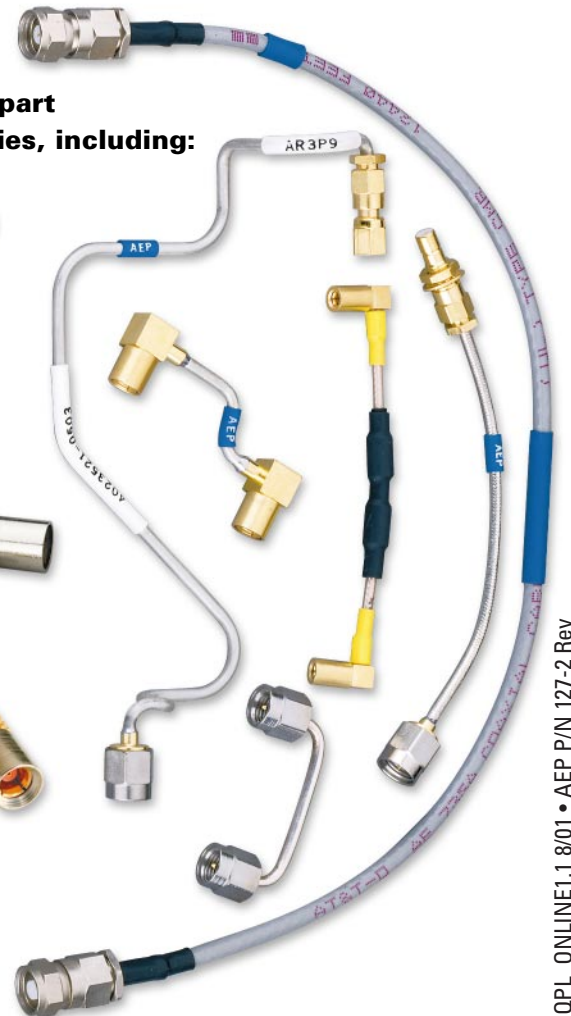
We invite you to see for yourself. Call us to arrange a plant tour—or, if you can't make a visit, ask for your copy of *INSIDE AEP*, our facilities and capabilities brochure.

Other AEP Products

The MIL-PRF-39012 QPL connectors in this brochure are only part of our complete line of coaxial connectors and cable assemblies, including:

- SMA
- SMB
- SMC
- SSMB
- SSMC
- SLB (Slide-on version of SMB)
- SLB/SA Self-aligning P.C. board receptacles
- SSLB (Slide-on version of SSMB)
- 75 ohm Miniature SMB
- 75 ohm Snap-on mating
- 75 ohm Screw-on mating
- MMCX edge mount
- Adapters within and between series
- Flexible cable assemblies
- Semi-rigid cable assemblies

Call for a copy of our 184-page full catalog to see them all.



APPLIED ENGINEERING PRODUCTS

P.O. Box 510 • New Haven, CT 06513
(203) 776-2813 • FAX (203) 776-8294
www.aepconnectors.com • aepsales@aepconnectors.com
ISO 9001 CERTIFIED

QPL ONLINE1.1 8/01 • AEP P/N 127-2 Rev _